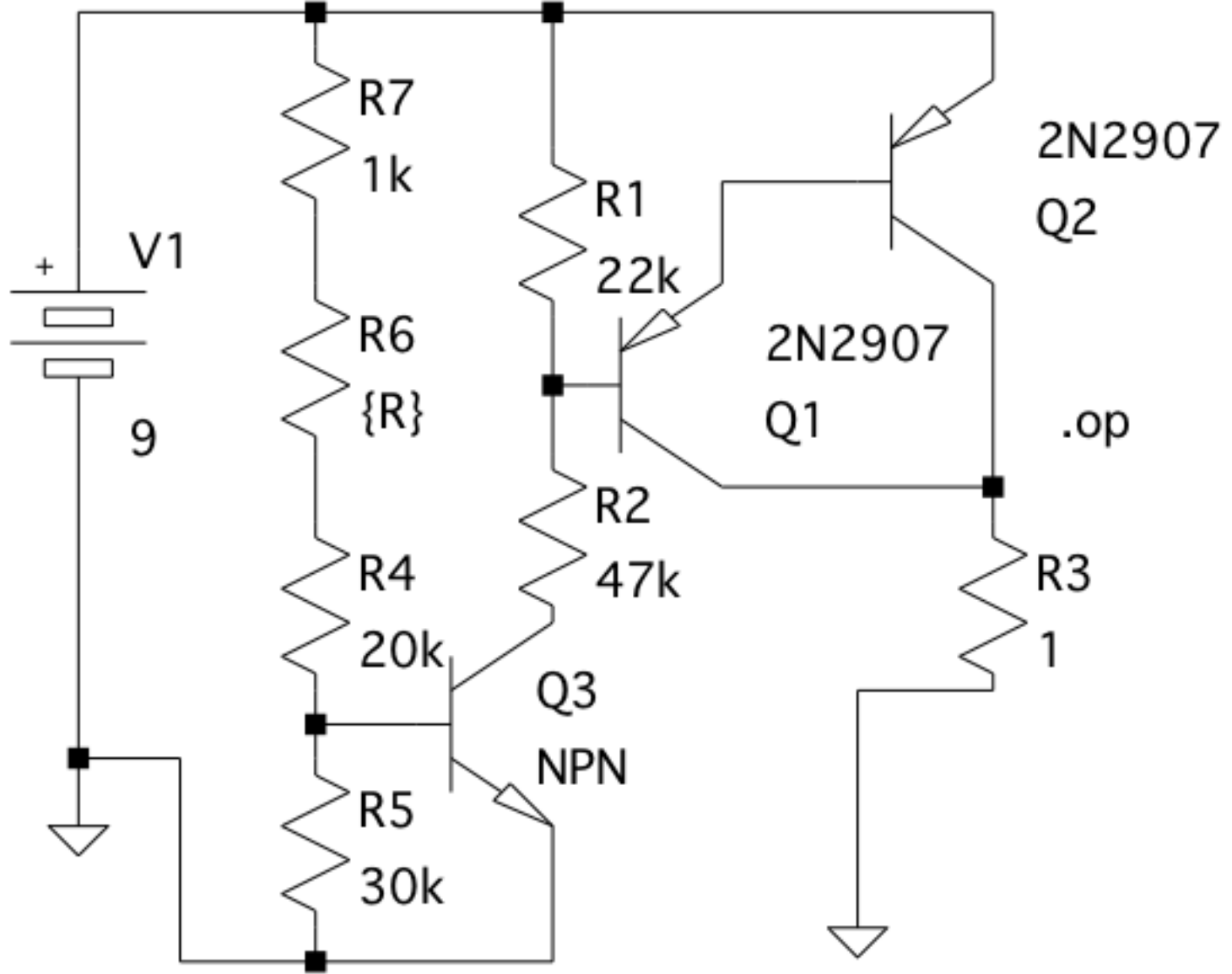
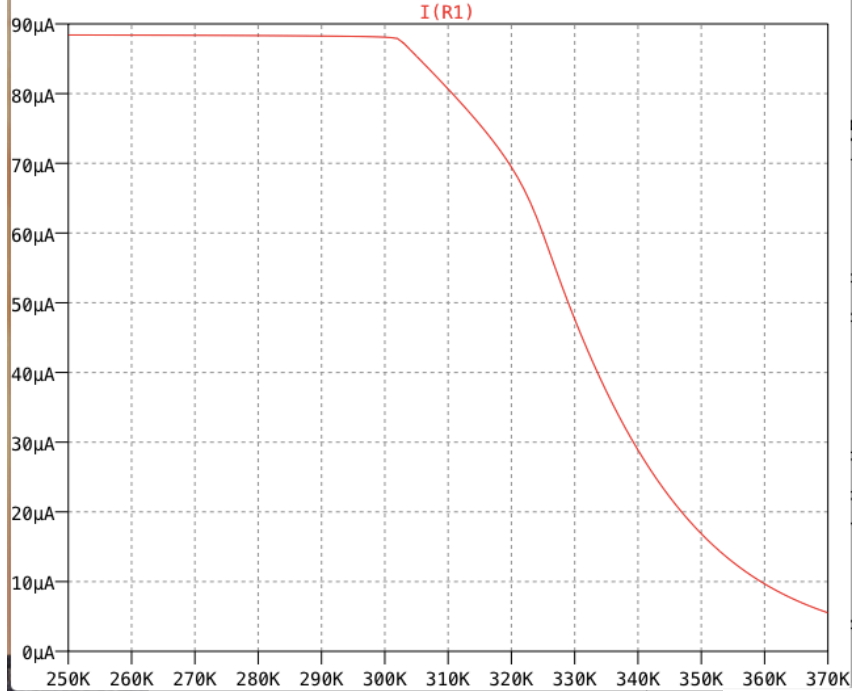


.step param R 250k 370k 1k





← Current through R1

Output current →

